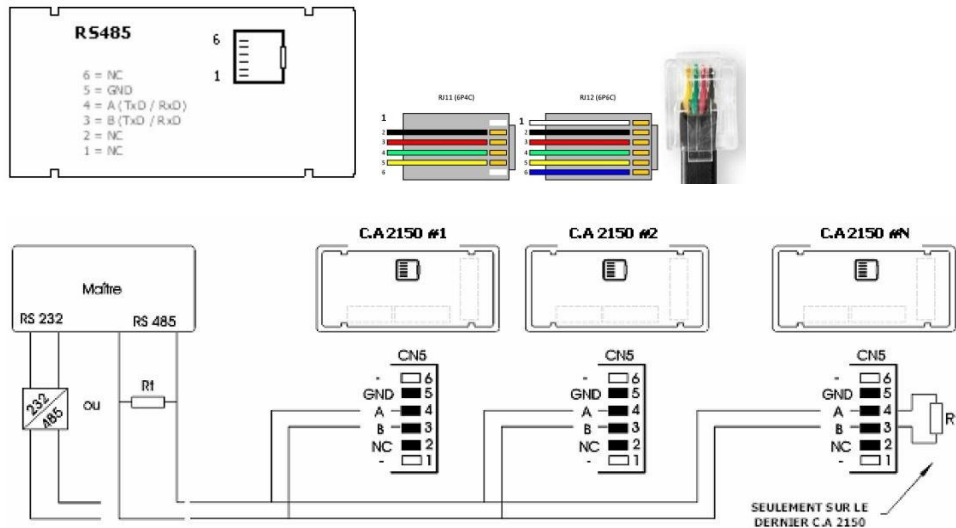


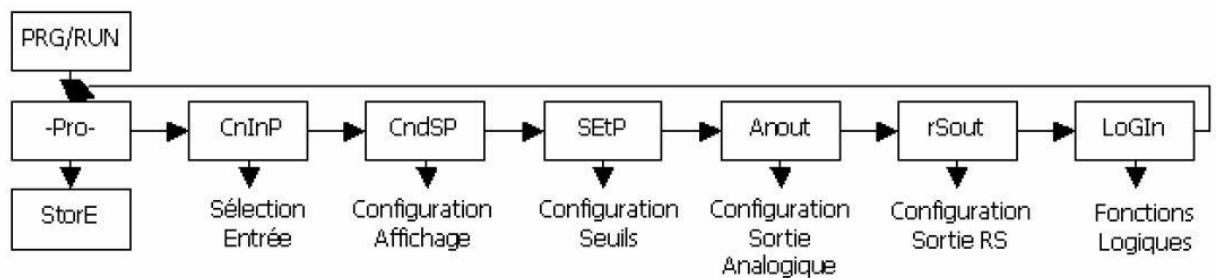
Communicating with your RS485 Modbus CA2150

Connections

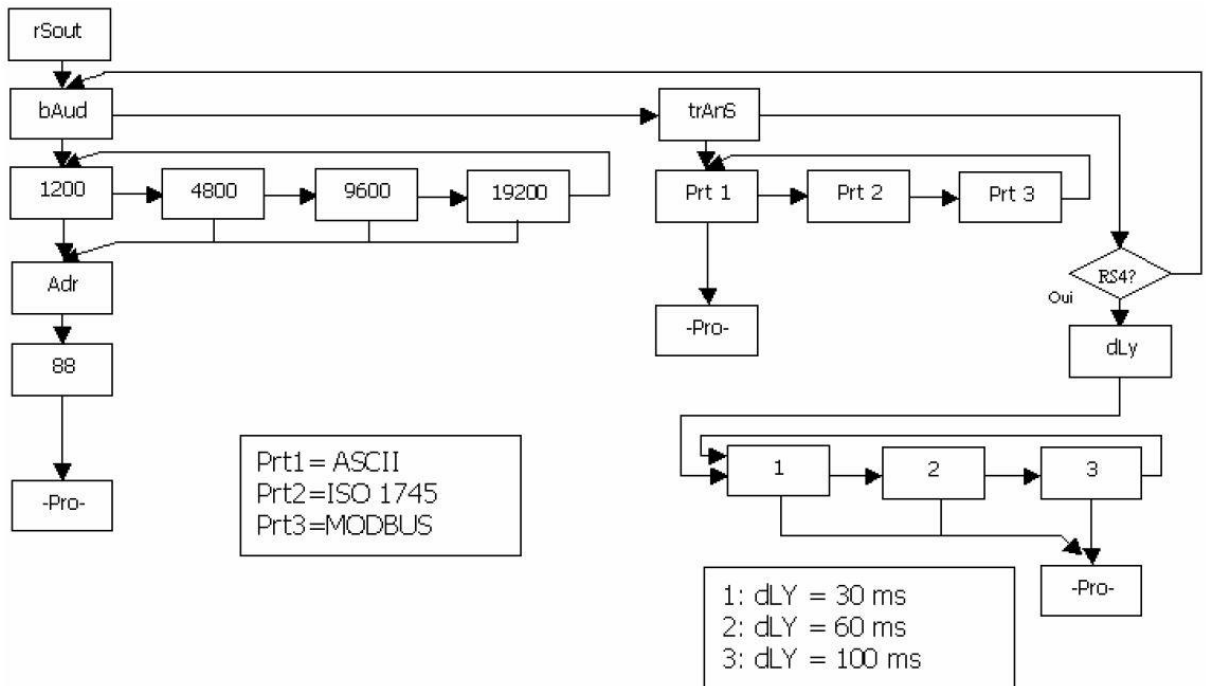


Settings

Press **PROG/RUN** then **▶** five time to reach the **rSout** sub-menu



Enter the sub-menu by pressing **PROG/RUN**



- Configure the transmission rate
- Set the value of the "trAns" option to **Prt3** (Modbus RTU)
- Configure the Modbus address of the slave (CA2150)

Reading using the Modbus 3 function

Modbus register address of the word (signed integer) "**Display Value**" without the decimal point

In other words, the value read must be divided by the power of ten corresponding to the number of decimal places the display is configured for.

For example, if the display of the CA2150 reads 12.345, then the value read in the Modbus register is 12345, and since the CA is configured to display three decimal places, this value must be divided by 1000 to give the value displayed, 12.345

@ of register:

- CA2150-E: 62: Display (signed integer)
70 (low byte: mask 0x00FF): nbr. of decimal places
- CA2150-M: 141: Display (signed integer)/152 (long signed integer)
11 (high byte: mask 0xFF00) nbr. of decimal places
- CA2150-D: 91: Display (signed integer)
11 (high byte: mask 0xFF00): nbr. of decimal places

For the other values, refer to the Modbus table corresponding to the model.